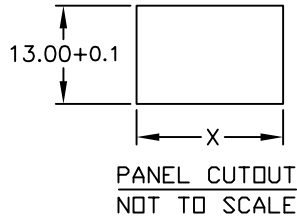
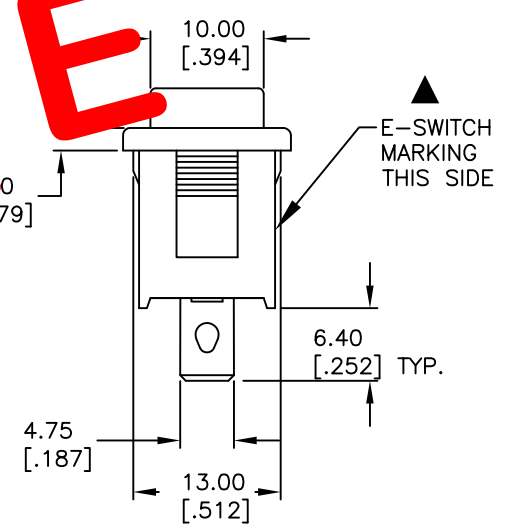
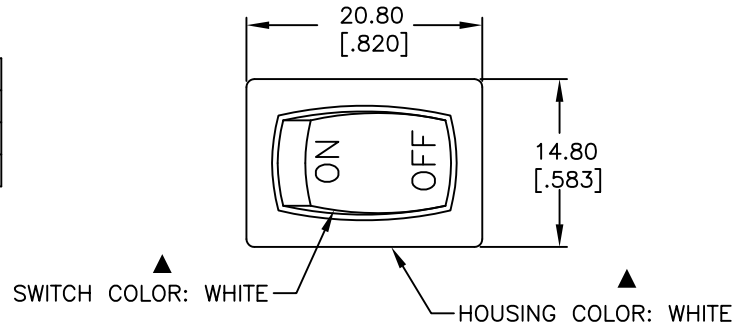
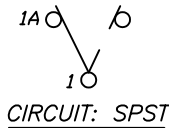


PANEL THICKNESS	X dimension
0.75-1.25 [.030-.049]	19.2-0.1 [.756]
1.25-2.0 [.049-.079]	19.4-0.1 [.764]
2.0-3.0 [.079-.118]	19.8-0.1 [.780]



SWITCH FUNCTION	
POS. 1	POS. 2
ON	OFF
1-1a	OFF



OBSOLETE
November 2017
PCR 23108

NOTES:

- ALL DIMENSIONS IN MM [INCH]
- GENERAL TOLERANCE: X.X=±0.4
X.XX=±0.25
- TERMINAL NUMBERS FOR REF ONLY
- RATING: 15A @ 125VAC OR
6A @ 250VAC
- MATERIALS: TERMINALS: SILVER PLATED COPPER ALLOY
CONTACTS: COIN SILVER, SILVER PLATED
- ELECTRIC LIFE: 10,000 CYCLES
- CONTACT RESISTANCE: <20 MEGA Ω
- INSULATION RESISTANCE: >1000 MEGA Ω
- DIELECTRIC STRENGTH: >1500 V 1 MINUTE
>3000 V BETWEEN POLES
- ▲ DENOTES CRITICAL PARAMETER.

E-SWITCH®				
TITLE R1966AWHTWHTIF				
SCALE	DATE	DR	DWG	REV
1.5:1	8/14/03	AR	M301235	A

A	13370	RELEASED FOR PRODUCTION	8/14/03	AR
REV.	ECN No.	DESCRIPTION	DATE	CHKD
THE INFORMATION CONTAINED IN THIS DOCUMENT IS PROPRIETARY TO E-SWITCH AND IS NOT TO BE COPIED OR TRANSFERRED				